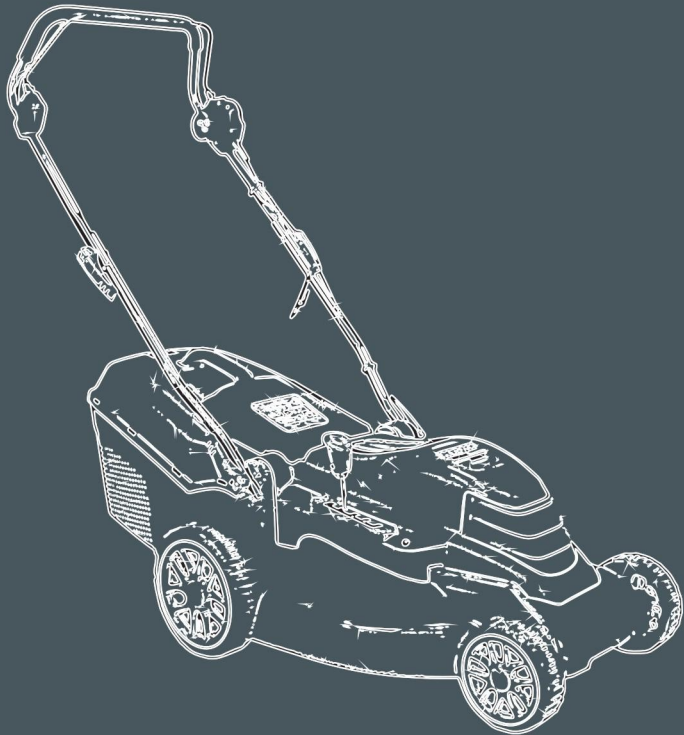


HYUNDAI
POWER PRODUCTS

ELECTRIC MOWER

HTDE1825

ORIGINAL INSTRUCTIONS



Warning: Please read this manual carefully before using the equipment!

CONTENTS

GENERAL SAFETY INSTRUCTIONS.....	3
TECHNICAL DATA.....	12
ASSEMBLY.....	13
OPERATION.....	15
MAINTENANCE AND STORAGE.....	18
DECLARATION CE.....	21

GENERAL SAFETY INSTRUCTIONS

A) LEARNING

- ✓ Please read the operating instructions carefully. Familiarize yourself with the controls and proper use of the device.
- ✓ Never allow children to use the device.
- ✓ Never allow persons unfamiliar with the operating instructions to operate the device.
- ✓ Local regulations may restrict the age of the user.
- ✓ Never operate the device in the presence of people, especially children, or pets.
- ✓ The user is responsible for accidents or risks of accidents to other people or their property.
- ✓ Use the lawnmower only for the purpose for which it was designed, namely mowing and collecting grass. Any other use might be dangerous and might damage the machine.

B) Preparation

- ✓ When using the device, dress appropriately, always wear sturdy shoes and long pants.
- ✓ Do not operate the device barefoot or with open sandals. Do not wear loose clothes or jewellery. Loose clothing, jewellery or long hair may be caught in moving parts.

- ✓ Wear protective glasses during use.
- ✓ Wearing a mask is recommended to prevent dust irritation.
- ✓ Before use, always perform a visual inspection, especially of the blade, making sure that the screws and knife assembly are neither worn nor damaged. Replace worn or damaged blades and all screws to maintain balance.
- ✓ Examine closely the area where you are going to use the mower and remove all objects that could be thrown by the machine (stones, twigs, wire, bones etc.).
- ✓ Before mowing, install and check the condition of the grass catcher.

C) WARNINGS AND HAZARDS

Moisture and electricity do not mix well.

The handling / connection of the cables should be done in a dry place.

Use a 30mA residual current device (RCD). Always avoid contact between an electrical plug or cable and a wet area (puddle or wet grass)

The connections between the cables and sockets should be waterproof. Only use the extensions with waterproof sockets by moulding or according to current standards, available on the market.

Power supply cables should not be of a lower quality than type H05RN-F. H05RR-f.H05WF.H05VVH2-F. For outdoor use, with a minimum cross-section of 1.5 m².

Attach the cable to its hook before starting the equipment.

The permanent connection of any electrical device in a building should be performed by a qualified electrician, in accordance with current electrical standards.

A wrong connection can cause serious injury or death.

- ✓ Before connecting the device, check that the sockets and extension cords are in good condition. Do not use the device if it is damaged or worn.
- ✓ Never use the device if the guards are defective or without safety devices, such as the grass catcher in place.
- ✓ Use only an extension cord attached to a coupler according to IEC 60320-2-3 standard.

Use and operation

- ✓ Always direct the cable away from the device.
- ✓ Mow in daylight or under adequate artificial light.
- ✓ Avoid operating the device on wet grass or in the rain.
- ✓ Never run the lawnmower over the power cable.
- ✓ When mowing, the cable should always be behind the mower and in the area where the grass has already been cut.
- ✓ Use the cable hook to avoid unexpected disconnection of the cable.

- ✓ Make sure that the plug is properly inserted and avoid forcing the plug.
- ✓ Never pull the lawnmower by its power cable and never pull on the power cable to remove it from the socket.
- ✓ Do not expose the cable to heat sources. Do not allow it to come into contact with solvents, oil, fuels or sharp objects.
- ✓ If a cable is damaged during use, unplug the plug immediately. **DO NOT TOUCH THE CABLE BEFORE UNPLUGGING THE PLUG.**

- ✓ **Disconnect the device from power sources**
 - ✓ Every time you leave the device
 - ✓ Before you solve a problem.
 - ✓ Before checking, cleaning or working on the device.
 - ✓ If the device starts vibrating abnormally.

- ✓ Always be careful to your position on the slopes.
- ✓ Mow facing the slopes, never from top to bottom.
- ✓ Be extremely careful when changing direction on slopes.
- ✓ Do not mow on slopes higher than 20°.
- ✓ Walk, never run, never let yourself be pulled by the lawnmower.
- ✓ Be extremely careful when pulling the lawnmower towards yourself.
- ✓ Stop the engine if you have to tilt the lawnmower to transport it, when passing

through areas other than grass, and when transporting it to another area to mow.

- ✓ Never operate the lawnmower with defective guards or without safety devices, such as a deflector or grass catcher, which are not in place.
- ✓ On trailed or powered models, disengage before starting the engine.
- ✓ Turn the engine on with the engine switch on, carefully as instructed, and with your feet well away from the blade.
- ✓ Do not tilt the mower when you start the engine.
- ✓ Place the engine on a flat surface, without obstacles or excessively high grass.
- ✓ Do not place your hands or feet under rotating parts.
- ✓ When working on the grass catcher or ejection duct, always switch off the engine.
- ✓ Never lift or carry a lawnmower with the engine running.
- ✓ Stop the engine and disconnect the power cable:
 - ✓ Before performing any work behind the cutting deck or unlocking the blade and before checking, cleaning or working on the lawnmower.
 - ✓ After striking a foreign object, stop and disconnect the mower, check for damage and repair before restarting and operating it.
 - ✓ If the mower starts to vibrate abnormally, stop the mower, check and eliminate the cause of vibration.




- ✓ When you leave the mower unattended.
- ✓ Stop the engine:
 - ✓ Every time you remove or replace the grass catcher.
 - ✓ Before adjusting the cutting height of the grass.
- ✓ When mowing, always keep a safe distance from the rotating blade. This distance corresponds to the length of the handlebar.
- ✓ After a failure, immediately stop the engine, do not go on mowing, take the machine to an authorized service centre and ask for qualified personnel to solve the problem.










C) Maintenance and storage



- ✓ Regular maintenance is essential for safety and to maintain performance levels.
- ✓ Check all bolts, nuts and screws to ensure that the device is in good working conditions.
- ✓ Inspect the condition of the grass catcher frequently. It should always remain in perfect condition.
- ✓ Also inspect the deflector and all protection devices.
- ✓ Replace worn or damaged parts
- ✓ Use only original accessories and replacement parts.
- ✓ Store the device only in a dry place.
- ✓ To reduce the risk of fire, remove grass, leaves and excess grease from the mower and especially from the engine.
- ✓ Empty, clean the grass catcher and let it dry before storing.

- ✓ Periodically check the electrical cables and replace them if they are damaged or if the insulation has been damaged.
- ✓ Never touch a poorly insulated cable if it is still connected to the power supply. Unplug the cable from the socket before any intervention.
- ✓ Wear sturdy gloves when removing and reassembling the blade.
- ✓ Check the balance of the blade after sharpening.
- ✓ For safety reasons, do not use the mower with worn cables or damaged parts.
- ✓ Parts should be replaced and not repaired.
- ✓ Use original spare parts.
- ✓ Non-equivalent quality parts can damage the mower and be dangerous to your safety.

D) Symbols

	<p>Waste from electrical products should not be disposed of with household waste. Please recycle them in the dedicated facilities.</p> <p>Check with your local authority or retailer for information on recycling.</p>
	<p>Use eye protection.</p> <p>Use hearing protection.</p>
	<p>Complies with all regulatory standards in force in the EU country where the product is bought</p>

	<p>Wear sturdy, non-slip shoes.</p>
	<p>Risk of personal injury, death, or damage to the device in case of non-compliance. Read the instructions for use.</p>
	<p>Use of protective gloves.</p>
	<p>Do not expose to rain.</p>
	<p>Risk of splashing; keep people away.</p>
	<p>The blade will continue to rotate for a short time after the engine has stopped. Never grab or carry the mower until the knives have stopped rotating.</p>
	<p>This product is doubly electrically insulated.</p>
	<p>Unplug the device from the mains before servicing. Keep the electrical wire away from sharp blades and other sharp objects.</p>
	<p>Immediately disconnect from the mains if the power cord is damaged.</p>

	<p>Beware of sharp blades. The blades continue rotating after the engine has stopped.</p> <p>Unplug the device from the mains before maintenance, i.e. if the power cord is damaged.</p>
	<p>Keep the power cord away from cutting tools.</p>

TECHNICAL DATA

a) Parts list

1. Upper handle
2. Lower handle
3. Switch box
4. Grass collection compartment
5. Wheels
6. Motor protection



b) Technical data

- Voltage: 230-240V~50Hz
- Power index: 1800W
- No-load speed: 3450min⁻¹
- Cutting height: 25-80mm, 5 Positions
- Cutting width: 420mm
- Protection class: II
- Degree protection: IPX4
- Net weight: 13.1 kg

Sound pressure level L_{pA} (measured at the operator level according to EN836): 81.1 dB(A), k=3dB(A)

Sound power level (measured according to European Directive 2000/14/EC: 94.0 dB(A), K=2.06dB(A)

Vibration value: K=2.75 m/s²; k=1.5 m/s²

This tool is doubly insulated. It is equipped with two insulating sleeves to protect you from any possibility of electrical shock.

NOISE RELATED DATA

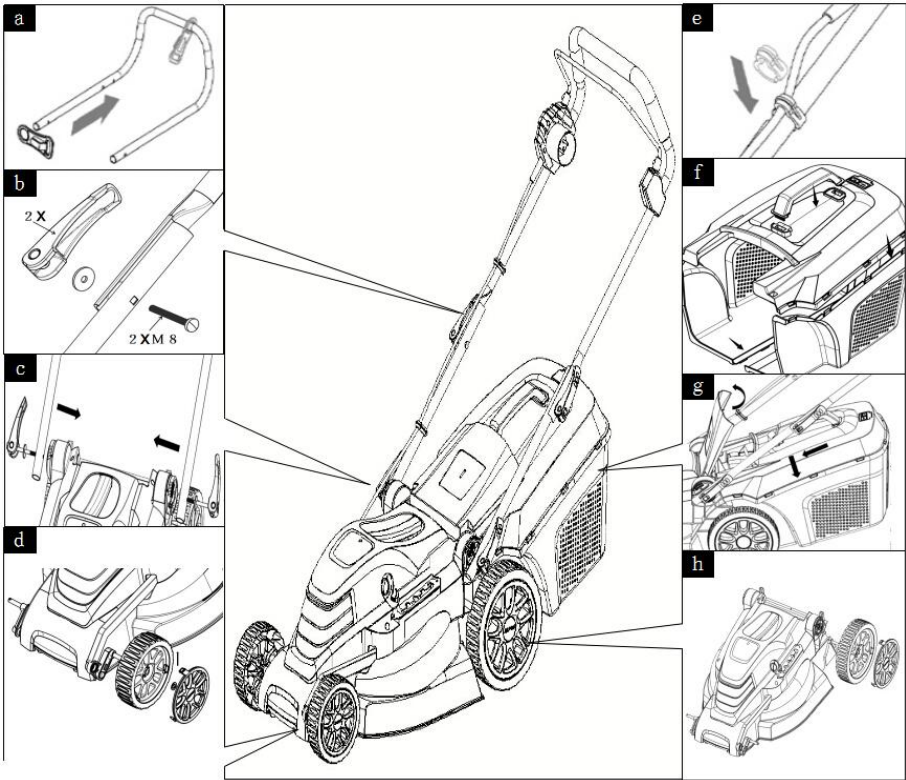
Guaranteed and declared noise intensity level: 96 db (A).

The noise level for the user may be higher than 85dB(A), therefore, hearing protection measures are needed.

ASSEMBLY INSTRUCTIONS

Preparation:

- 1) Place the cable hook on the upper handle (fig. 1a)
- 2) Secure the upper and lower handles with the screws and bolts provided (fig. 1b)
- 3) Insert the handles into the mower body (fig. 1c)
- 4) Adjust each wheel to its axis, secure them with the "R" pins (fig. 1d)
- 5) Attach the cable holders (fig. 1e)
- 6) Mounting the grass collection compartment. Assemble the two halves and attach them to each other (fig. 1f)
- 7) Lift the flap and place the grass collection compartment on the legs (fig. 1g)
- 8) fasten the trims (fig. 1h)



CUTTING HEIGHT ADJUSTMENT

In order to achieve the desired cutting height, the front and rear axles should be repositioned under the mower frame.

Caution! Disconnect the mower from the area and make sure the blade has stopped rotating before adjusting the height.

Note: Make sure that the right and left rear wheels are adjusted at the same position corresponding to the cutting height.

1. Cutting height positions (fig.2c)
 - 1) 25mm (lowest cutting height)
 - 2) 38mm
 - 3) 50mm

- 4) 63mm
- 5) 80mm (highest cutting height)



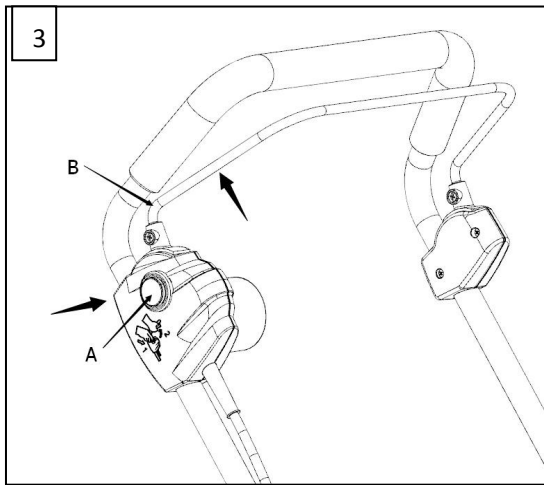
OPERATION

Caution! Before connecting to the mains, always check that the switch is off. Connect the device to an electrical outlet (under RCD network)

a. **Start**

On/off switch (fig 3)

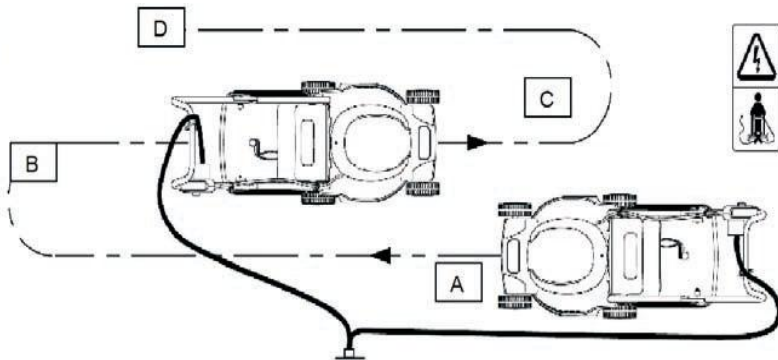
Caution! Do not start the mower if the grass on which it is placed is too high. Press the safety button (A) on the switch and pull the safety lever (B) against the bar. Hold the switch lever while you release the safety button. To stop the mower, release the switch lever, which automatically returns to the off position.



b. Mowing

We recommend using your lawnmower as described in this section to achieve optimal results and reduce the risk of cutting power cables.

- Place the main wiring close to the starting point A.
- Turn on the mower as described above.
- Proceed as described in figure 4 below.
- Change from position A to position B
- Turn right and change to position C.
- Turn left and change to position D.
- Repeat the above processes if needed.



c. Instructions for the grass catcher

Putting the grass catcher in place: Lift the deflector and place the grass catcher on the tabs.

Emptying the grass catcher: Before working on the grass catcher, switch off the engine and wait for the blade to fully stop.

When you see the grass scattering underneath the mowers, empty the grass catcher. However, never use the device without the grass catcher.

If you need to tighten the cutting blade, first make sure that your mower is not connected to a power supply, then as shown in the diagrams below, use a screwdriver to lock the pin, then use a wrench to tighten the blade.

Caution! Avoid working towards the cable.

MAINTENANCE AND STORAGE

1. Keep all nuts, bolts and screws firmly tightened to ensure that the mower can operate safely.
2. Check the mower deck and grass catcher frequently and make sure they are not worn or damaged.
3. Replace worn or damaged parts for your safety.
4. Be sure to use only the replacement blade, its nut and wrench specific for this product.
5. Be careful when adjusting the mower to prevent your fingers from getting caught between the moving blade and fixed parts of the machine.
6. Lubricate the wheel axles.
7. Store the mower in a dry place.
8. Do not wash the mower with plenty of water, wipe it with a dry cloth. Do not spray water or liquid on the engine and electrical components (switch, extension cord, plugs, etc.).

Blade maintenance

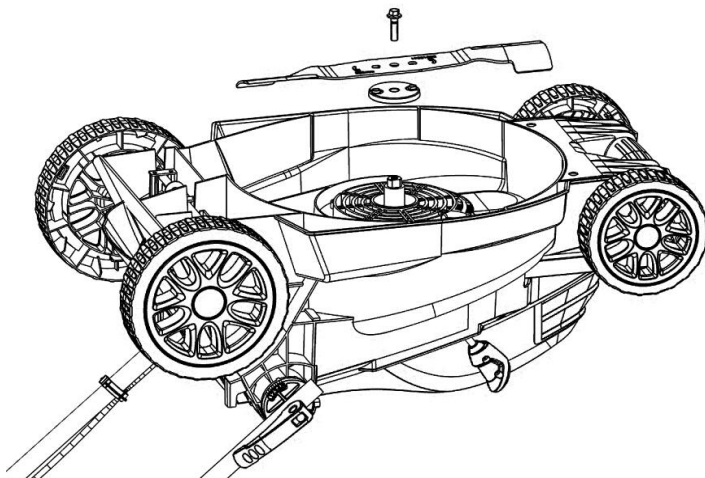
1. Remove grass and dirt from the blade regularly.
2. At the beginning of the gardening season, carefully examine the condition of the blade.
3. If the blade is very blunt, sharpen or replace it.
4. If the blade is damaged or worn, replace it.

Caution! Observe the following precautions:

5. Disconnect the mower from the area and wait until the blade has stopped rotating before proceeding.
6. Be careful not to cut yourself. Use strong work gloves or a cloth to grasp the blade.
7. Make sure to use only the specified replacement blade.
8. Do not remove the blade (A) under any circumstances.

Replacing the blade:

9. Put the machine on its side.
10. Place the ring on the engine shaft.
11. Place the blade, screw and spring washer.
12. Position the blade on the centring devices.



Warranty

We guarantee this product for 2 full years.

The warranty period for this item starts on the day of purchase. You can prove the date of purchase by sending us the original receipt.

We insure over the entire warranty period:

- Free repair of possible malfunctions.
- Free replacement of damaged parts.
- Including the free service of our specialized personnel (i.e. free assembly by our technicians)

Provided that the damage is not due to improper use of the device.

To help you with your product, we invite you to use this link or call us on +33 (0)9 70 75 30 30:

<https://services.swap-europe.com/contact>

You must create a "ticket" via their platform:

- Register or create your account
- Indicate the reference of the tool
- Choose the subject of your request
- Explain your problem
- Attach these files: Invoice or receipt, identification plate photo (serial number), photo of the part you need (eg broken transformer plug pins)





Declaration of conformity

BUILDER

ZI, 32 rue aristide Bergès – 31270 Cugnaux - France

Declares that the machinery designated below:

ELECTRIC MOWER

HTDE1825

Serial number: From XXXXXXXX to XXXXXXXXX

Complies with the provisions of the Directive "machinery" 2006/42/EC and regulations

National transposing it;

Also complies with the following European directives:

EMC Directive 2014/30/EU

Noise Directive: 2000/14 / EC + Annex VI & 2005/88 / EC

Guaranteed sound power: 96 dB(A) Sound power: 94 dB(A)

RoHS Directive 2011/65/EU

Also complies with European standards, national standards and provisions following

techniques:

EN 60335-1:2012/A13:2017; EN 60335-2-77:2010; EN 62233:2008

EN 55014-1 :2017; EN 55014-2 :2015; EN 61000-3-2 :2014; EN 61000-3-3:2013

Certified body of the noise directive: TÜV SÜD Industrie Service GmbH, Westendstraße 199

80686 MÜNCHEN (Germany) Noise test code: 0036

Done at Cugnaux, 11/03/2020

Philippe MARIE / CEO

HYUNDAI
POWER PRODUCTS

For Inquiries, please contact:

BUILDER SAS

32, rue Aristide Bergès Z1 31270 Cugnaux, France

Tél. : +33 (0) 5.34.502.502 Fax : +33 (0) 5.34.502.503

<http://www.hyundaipower-fr.com/>

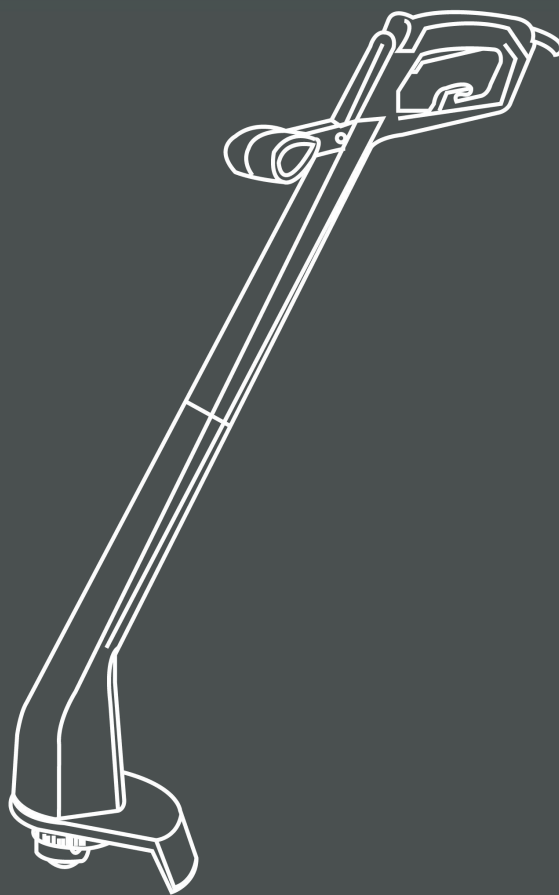
Fabriqué en République Populaire de Chine (PRC)

HYUNDAI
POWER PRODUCTS

ELECTRIC TRIMMER

HTDE1825

ORIGINAL INSTRUCTIONS



1. SAFETY INSTRUCTION

WARNING! When using the machine the safety rules must be followed. For your own safety and bystanders please read these instruction before operating the machine. Please keep the instructions safe for later use.

WARNING: Observe instructions for use.

- a) Read the instruction carefully;
- b) Be familiar with the controls and proper use of the equipment;
- c) Before use check the supply and extension cord for signs for signs of damage or aging;
- d) If the cord becomes damaged during use, disconnect the cord from the supply immediately.
- e) Do not touch the cord before disconnecting the supply.
- f) Do not use the lawn trimmer(edge trimmer) if the cord is damaged or worn.
- g) The following warning

-Warning! Cutting elements continue to rotate after the motor is switch off

-Keep extension cord away from cutting element

- h) The appliance should be supplied via a Residual Current Device(RCD) with a tripping current of not more than 30 mA.

Correct and safe use

- a) Wear protective glasses or goggles;
- b) Never allow children, persons with reduced physical, sensory or mental capabilities or lack of experience and knowledge or people unfamiliar with these instructions to use the trimmer.

- c) Stop using the machine while people, especially children, or pets are nearby;
- d) Only use the machine in daylight or good artificial light;
- e) Before using the machine and after any impact, check for signs of wear or damage and repair as necessary;
- f) Never operate the machine with damaged guards or without the guards in place;
- g) Keep hands and feet away from the cutting means at all times and especially when switching on the motor;
- h) Take care against injury from any device fitted for trimming the filament line length. After extending new cutter line always return the machine to its normal operating position before switching on;
- i) Switch on the motor only when the hands and feet are away from the cutting means. Never fit metal cutting elements.
- j) Never use replacement parts or accessories not provided or recommended by the manufacturer;
- k) Disconnect the machine from the mains before checking, cleaning or working on the machine and when it is not in use;
- l) Work of maintenance and cleaning on the appliance and adjustment of the cutting only with the motor stopped and the mains plug disconnected
- m) Always ensure that ventilation openings are kept clear of debris;
- n) If the replacement of the supply cord is necessary, this has to be done by the

manufacturer or his agent in order to avoid a safety hazard.

General Safety Rules

- The grass trimmer must not be used by anyone under the age of 16.
- Always check the good working order of the trimmer which, if not adequate, could endanger the user.
- Before connecting the trimmer to the mains, make sure that the rotating parts are not damaged and the line-holding spool is inserted correctly and securely.
- Do not use the trimmer if the cutting device is not secured properly or is damaged.
- Before starting the trimmer, make sure that the nylon line is not touching stones or debris.
- Always wear suitable clothing when using the trimmer to prevent head, hand or feet injuries. Use a helmet, glasses (or visor), high boots (or sturdy shoes and trousers) and work gloves.
- When the trimmer is in operation, keep the cutting section away from all parts of the body.
- Do not start the trimmer when it is upside down or when not in working position.
- Turn the trimmer off and disconnect the plug when: the trimmer is not being used, it is left unattended, it is being examined because it is not working correctly, the power supply cable is damaged, the spool is being removed or changed or when the trimmer is being moved from one place to another.
- Keep children, other people and pets away from the trimmer; the grass which is cut and dispersed may contain stones and debris.

- Do not let other people or animals come within 5 metres of the trimmer when in use.
- Remain in a stable and secure position while operating the trimmer.
- Keep the area being cut free from wires, stones and debris.
- Do not cut against hard objects. This could cause injury or damage the trimmer.
- Use the edge of the guard to keep the trimmer away from walls, surfaces, miscellaneous things and delicate objects.
- Never use the trimmer without the guard.
CAUTION! The guard is vital for your and other peoples' safety and for the good working order of the trimmer. The failure to observe these safety regulations are not only dangerous but also annuls the guarantee terms.
- Be careful of the line-cutting blade, which can give deep cuts.
- Do not try to stop the cutting device (nylon line) with your hands. Always let it come to a stop by itself.
- CAUTION! After switching off, the nylon line will continue to rotate for a few more seconds.
- Only use the original type of nylon line. Under no circumstances use metal wire instead of nylon.
- Do not use the trimmer to cut grass that is not in contact with the ground; for example do not cut grass that is not walls or rocks etc.
- Do not switch the grass trimmer on in enclosed or poorly ventilated spaces or in the presence of inflammable and/or explosive substances such as liquids, gas and powders.
- The user of the grass trimmer is responsible for any damage sustained by third parties that has been

caused by the grass trimmer within the working area.

- Only cut during broad daylight or with corresponding artificial light.
- Do not cross roads or gravel paths with the trimmer still running.
- When the trimmer is not in use, store it in a dry place and out of the reach of children.
- The trimmer should be used in compliance with these instructions and only in a position that is vertical in relation to the ground. Any other position is dangerous.
- Check regularly that the screws are properly secured.

Electrical Safety Rules

- The mains voltage must correspond to the one marked on the technical data plate (230-240V~50Hz). Do not use other sources of power.
- The use of a safety circuit-breaker is recommended for the power supply line for an intervention range of 10 to 30 rated mA. Consult a reliable electrician.
- Never pass the grass trimmer over the extension cable that the grass trimmer is working, as this could cut the cable. Mark sure you always know where the cable is.
- Use the special cable holder for the connection of the extension cable.
- Never use the trimmer when it is raining, Try to prevent it from getting wet or being exposed to humidity. Do not leave it outside overnight. Do not cut damp or wet grass.
- The power supply cable should be checked

regularly and before using it each time, make sure the cable is not damaged or old out. If the cable is not in good condition, do not use the trimmer. Take it to an authorized service center instead.

- Only use an extension cable that is suitable for outdoor work. Keep it away from the cutting area, from damp, wet or oily surfaces or with sharp edges and away from heat and fuels.
- The mobile socket of the extension cable should be splashproof in compliance with DIN 57282 and DIN VDE 0282 regulations; the cross-section of the wire (max. length 75 m.) should be at least 1.5 mm². Use H07RN-F harmonized cable.

This grass trimmer has been built with dual insulation in compliance with EEC 20 regulations. Double insulation is electrically safer and therefore the trimmer need no earthing.

Avoid using the machine in bad weather conditions especially when there is a risk of lightning.

Always disconnect the machine from the power supply

- before clearing a blockage;
- after striking a foreign object;
- whenever the machine starts vibrating abnormally.

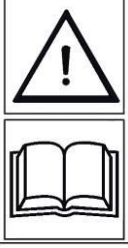


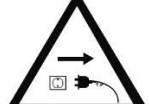


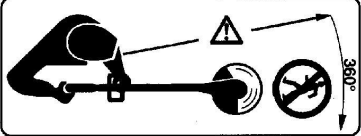
Do not overreach and to keep the balance at all times, always be sure of the footing on slopes and to walk, never run.

Do not touch moving hazardous parts before the machine is disconnected from the mains and the moving hazardous parts have come to a complete stop.

Do not connect a damaged cord to the supply or touch a damaged cord before it is

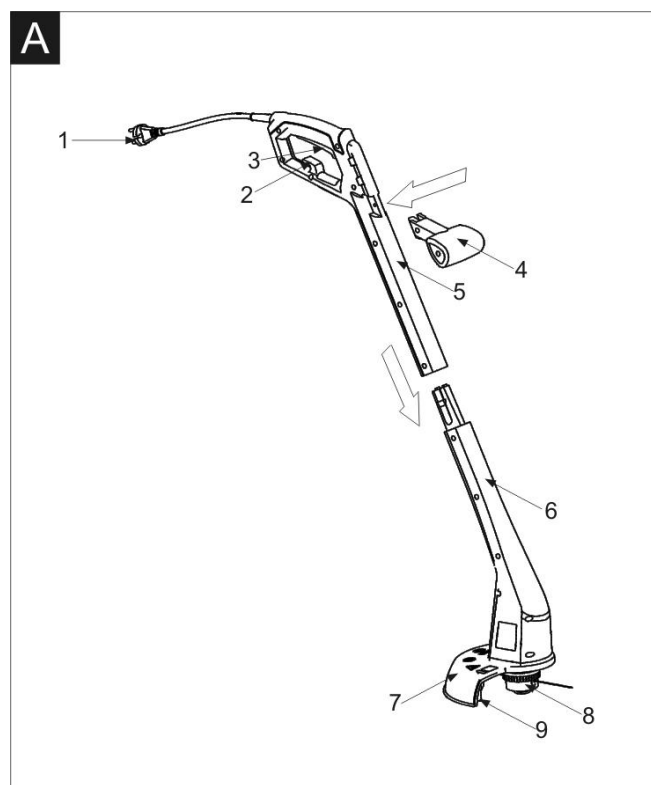
disconnected from the supply for the reason that damaged cords can lead to contact with live parts. Keep extension cords away from moving hazardous parts to avoid damages to the cords which can lead to contact with live parts.

2. Warning symbols

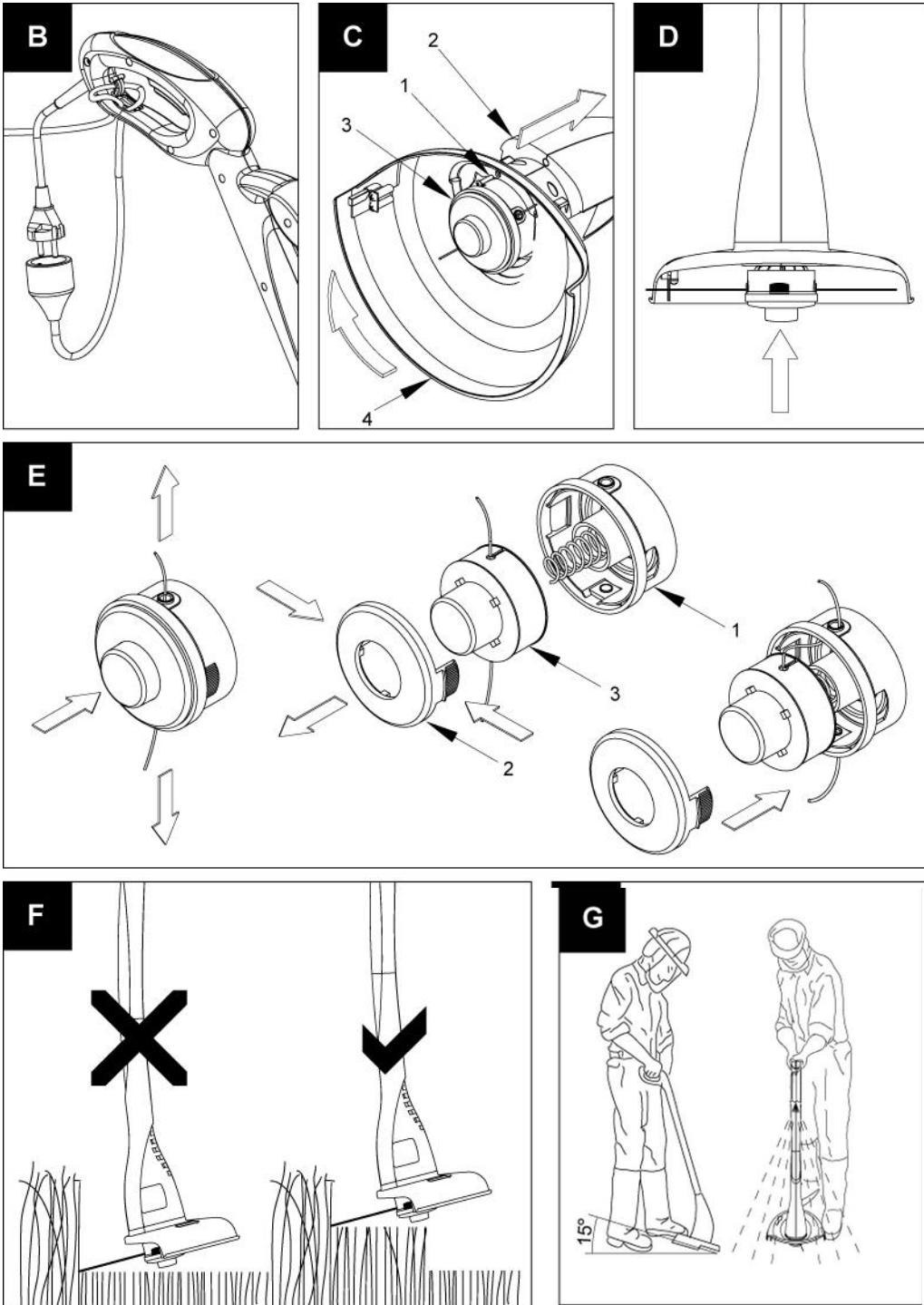
	<p>Read the instructions carefully and be familiar with the controls and proper use of the equipment.</p>		<p>Keep bystanders away</p>
	<p>Wear eye protection</p>		<p>Disconnect the mains plug if the cord is damaged or entangled</p>
	<p>Do not expose to moisture</p>		<p>Wear hearing protection.</p>
		<p>Keep bystanders away when machine is being operated.</p>	

3. Description

1. Main cable
2. Cable holder
3. Starting switch
4. Handle
5. Handgrip
6. Motor housing
7. Guard
8. Spool holder
9. Cutting knife with cover



4. Assembling



The grass trimmer is supplied with some components not assembled. To assemble these proceed as follows:

Assembling the motor housing (Fig. A)

Insert the motor housing (6) into the handgrip (5), make sure the cable between will not be damaged.

Assembling the handle (Fig. A)

Install the handle (4) onto the handgrip (5) with bolt and nut.

Mounting the guard (Fig. C)

Align the reference indices of the body (2) of the spool holder (3) and of the guard (4). Insert the guard in the body (up to the collar) and rotate it in the direction indicated by the arrow until the hole of the guard corresponds to that of the body. Firm the screws supplied (1).

Caution! During this operation beware of the line cutter blade. You may be wounded.

Caution! Never use the grass trimmer without the guard. It is vital for your and other peoples' safety and for the good working order of the trimmer. The failure to observe this safety regulation is not only dangerous but also annuls the guarantee terms.

Use of the cable holder (Fig. B)

The handle is equipped with a cable holder that serves for connection of the extension cable.

5. Starting

If the trimmer is to be used for the first time, check that the nylon line touches or passes over the cutting blade. The nylon line will be cut automatically when turn on the switch to the maximum length. If it does not reach the necessary length, push the head of spool with your finger while pulling the lines (Fig E).

Insert the plug into the extension cable and attach it to the handle (Fig. B). Pressure the switch and make the trimmer turn at no load; thus, the line length is automatically adjusted. Only approach the implement to the grass to be cut while it is in operation, i.e. while the switch is pressed down.

Caution! Before turn on the switch, take the blade cover away.

To cut long grass, take several small cuts. Never cut wet or very damp grass. The line has to be protected against premature wear caused by hard obstacles; for this purpose, keep the trimmer away from hard surfaces using the guard's edge as a protection. A short or worn line will reduce cutting capacity. So, to restore the line to its optimum length, push the implement to the ground while it is running; this way, the line will automatically be the correct length (Fig. D).

CAUTION! The short or worn line cuts less efficiently therefore, to improve its operations, unplug the electrical supply and repeat the operation described in the beginning of the chapter. These make sure that everything is functioning properly and to familiarize yourself with the grass trimmer. CAUTION! After switching off, the nylon line will continue to rotate for a few more seconds.

Replacement of the line spool (Fig. E)

- Unplug from the socket.
- Turn upside down the machine with the guard facing upwards.
- Hold with one hand the motor fan (1) firmly and with the other hold the spool holder (2). Push the clips of the spool holder both side down and pull it out of the motor fan.
- Extract the empty spool (3) and clean the inside of the spool holder carefully removing all dust and grass residues.
- Insert now the new spool in the motor fan and push the end of line through the lateral holes provided on the motor fan.
- Push the spool holder on and fasten it securely.
- Re-establish the length of the nylon line by pushing the head of spool holder and pull the line ends out to the desired length (approx. 10 cm).

CAUTION! Under no circumstances wind extra line on the empty spool but instead replace it with a new one, the same as the original. The use of line with different characteristics to those of the original can permanently damage the grass trimmer as well as annulling the terms of the guarantee.

6. Instructions for Use

After reading the safety rules carefully, follow the instructions below attentively in order to get the most out of your grass trimmer.

Start off slowly, when you have gained experience, you will be able to use the grass trimmer to its full potential.

- Start the grass trimmer before getting close to the grass to be cut.
- Cut the grass by moving the grass trimmer from right to left and proceed slowly keeping the trimmer inclined by about 15° (Fig. G) .
- High grass should be cut in layers, always beginning from the top. The cuts should be short (Fig. F).
- Do not cut damp or wet grass. Dry grass will give excellent results.
- Always let the nylon line rotate at top speed; do not work in such a way as to overload the trimmer.

Caution! Do not use the Grass Trimmer without the guard.

- Never pass the grass trimmer over the extension cable while the grass trimmer is running; make sure it is always in a safe position behind your back.
- Before starting work, make sure that the area to be cut is free of stones, debris, wires and any other objects.

7. Maintenance

Before carrying out any maintenance operations, cut off the electric power supply by disconnecting the plug from the extension cable.

- Regular cleaning and maintenance of you grass trimmer will ensure efficiency and prolong the life of your machine.
- After each cutting operation, take apart and clean out the grass and soil from; the spool and its slot, the whole trimmer and in particular the guard.
- During operation, keep the air slots clean and free of grass.
- Only use a cloth soaked with hot water and a soft brush to clean the grass trimmer.
- Do not spray or wet the appliance with water.
- Do not use detergents or solvents as these could ruin the trimmer. The parts in plastic can easily be damaged by chemical agents.
- If the line cutting blade no longer cuts or breaks, have this replaced by contacting an authorized service centre.

CAUTION! The blade can give deep cuts.

- For repairs which have not been explained in these instructions, contact an authorized service centre.
- After use, disconnect the machine from the mains and check for damage;
- When not in use store the machine out of the reach of children;
- Inspect and maintain the trimmer regularly. Mains powered trimmers should only be repaired by an authorized repairer ;
- User may carry out maintenance and adjustments. Please refer to the part of REPLACEMENT OF THE SPOOL OF NYLON WIRE.
- Use only manufacturers recommended replacement parts and accessories. (Line:φ 1.2 Spool:GT250)

8. Trouble-Shooting

CAUTION! Before every operation disconnect the electric power supply.

- If the grass trimmer vibrates: remove the spool and clean its slot carefully removing any grass and so forth. If vibration persists after reassembly, replace the spool with a new one. In the event of the problem not disappearing, have the trimmer checked at an authorized service center.
- If the grass trimmer does not start: check all the electrical connections; make sure the safety circuit-breaker has not been activated; check that no fuse has blown in your electrical system. If after the above checks, the grass trimmer still does not start, have it checked at an authorized service center.

9. Storage

Follow these recommendations for storing the grass trimmer:

- Carry out general cleaning of the grass trimmer and its ancillary parts (see maintenance paragraph), this prevents mould from forming.
- Store it out of the reach of children, in a stable and safe position and in a dry place where the temperature is not too hot or too cold.
- Store the trimmer away from direct sunlight, if possible in a dark or barely lit place.
- Do not store in a nylon bag as this could encourage the formation of damp patches.
- Do not store the grass trimmer resting on the floor. Hang it by the upper handgrip instead, so that the guard does not touch anything. The resting of the guard on a surface could alter its shape and therefore its dimensions and safety characteristics would be modified.

10. Technical Data

Power supply voltage	230V-240V~50Hz
Rated power	250W
Idle Speed	12000/min
Line diameter	1.2mm
Cutting width	Ø220mm
Protection class	II
Degree of protection	IPX0
Noise pressure level LpA	82.6dB(A); K=3dB(A)
Noise power level LwA	91.1dB(A), K=3.03dB(A)
Guaranteed sound power level	94dB(A)
Vibration	Main handle: 3.904m/s ² K=1.5m/s ²
Weight:	1.3kg.

Information:

- The declared vibration total value has been measured in accordance with a standard test method and may be used for comparing one tool with another.
- The declared vibration total value may also be used in a preliminary assessment of exposure.

Warning:

- The vibration emission during actual use of the power tool can differ from the declared total value depending on the ways in which the tool is used.

- It's necessary to identify safety measures to protect the operator that are based on an estimation of exposure in the actual conditions of use (taking account of all parts of the operating cycle such as the times when the tool is switched off and when it is running idle in addition to the trigger time)

11. Warranty

We guarantee this product for 2 full years.

The warranty period for this item starts on the day of purchase. You can prove the date of purchase by sending us the original receipt.

We insure over the entire warranty period:

- Free repair of possible malfunctions.
- Free replacement of damaged parts.
- Including the free service of our specialized personnel (i.e. free assembly by our technicians)

Provided that the damage is not due to improper use of the device.

To help you with your product, we invite you to use this link or call us on +33 (0)9 70 75 30 30:

<https://services.swap-europe.com/contact>

You must create a "ticket" via their platform:

- Register or create your account
- Indicate the reference of the tool
- Choose the subject of your request
- Explain your problem
- Attach these files: Invoice or receipt, identification plate photo (serial number), photo of the part you need (eg broken transformer plug pins)



12. Declaration of conformity

BUILDER SAS

ZI, 32 rue aristide Bergès – 31270 Cugnaux – France

Declares that the machinery designated below:

ELECTRIC TRIMMER

HTDE1825

Serial number:

Complies with the provisions of the Directive "machinery" 2006/42/EC and regulations

National transposing it;

Also complies with the following European directives:

EMC Directive 2014/30/EU

Noise Directive: 2000/14 / EC + Annex VI & 2005/88 / EC
WEEE 2012/19/EU

Sound power level: 91.1dB(A), K=3.03dB(A)

Guaranteed sound power: 94 dB(A)

A RoHS Directive 2011/65/EU

Also complies with European standards, national standards

and provisions following techniques:

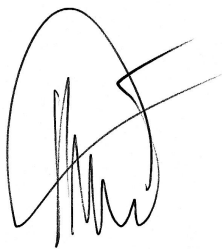
EN 60335-1:2012/A13:2017; EN 50636-2-91:2014

EN 55014-1 :2017; EN 55014-2 :2015; EN 61000-3-2 :2014; EN 61000-3-3:2013

Certified body of the noise directive: TÜV SÜD Industrie Service GmbH, Westendstraße 199 80686
MÜNCHEN (Germany) Noise test code: 0036

Cugnaux, 11/03/2020

Philippe MARIE / CEO

A handwritten signature in black ink, consisting of a large, stylized initial 'P' followed by several vertical strokes and a wavy line at the bottom, all enclosed within a large, irregular oval shape.

HYUNDAI
POWER PRODUCTS

For Inquiries, please contact:

BUILDER SAS

32, rue Aristide Bergès Z1 31270 Cugnaux, France

Tél. : +33 (0) 5.34.502.502 Fax : +33 (0) 5.34.502.503

<http://www.hyundaipower-fr.com/>

Fabriqué en République Populaire de Chine (PRC)